

MAGNUM-P V6S

Magnetic Bearing Isolator

ISOMAG[®]
DURABLE BY DESIGN

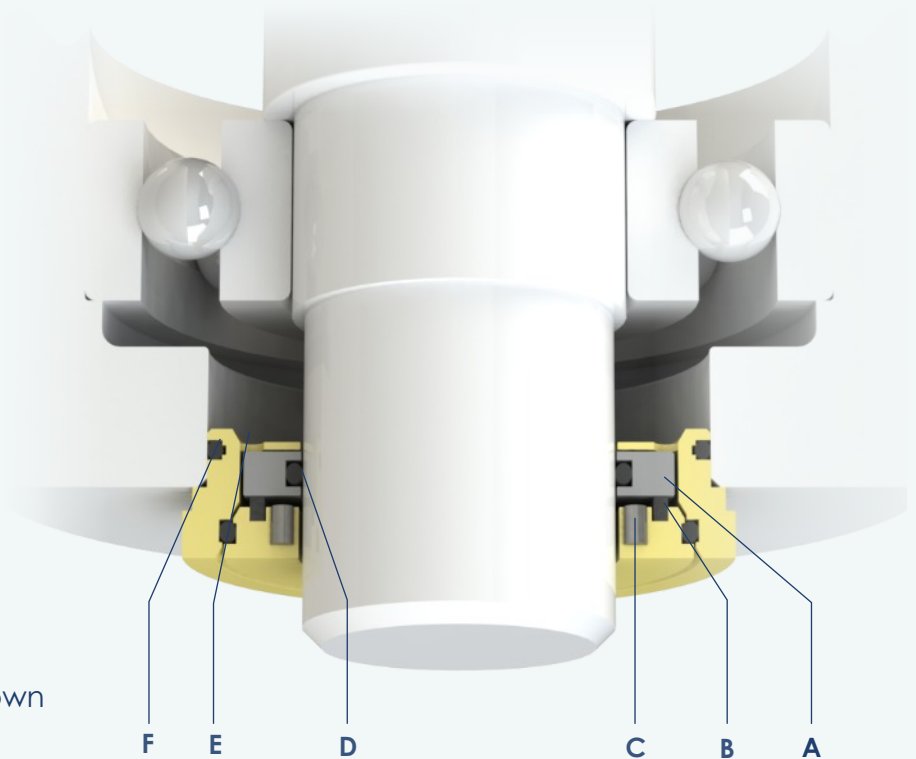
DATASHEET

FEATURES

- A** : Rotating ferrous face
- B** : Composite stationary face
- C** : Rare earth magnets
- D** : O-ring driven rotor
- E** : Oil recirculation ports
- F** : O-ring bore fit

APPLICATIONS

- Lubrication:** Bath, Flooded
- Equipment:** Pumps, Gearboxes
- Orientation:** Horizontal, Vertical Down



TECHNICAL SPECIFICATIONS

- Standard Materials:** Bronze, Stainless Steel
- Temperature:** 400°F/205°C max, -15°F/-26°C min
- Pressure:** 0-5 psi (0-.34 Bar)
- Shaft Size:** .750 in (20 mm) - 24 in (610 mm)
- Shaft Speed:** 15,000 ft/min (76.2 m/s)
- Axial Movement:** +/- 1.0 in (25.4 mm) or greater
- Radial Movement:** .020 in (.5 mm)
- Configurations:** Bolted, Non-flanged, Male/Female Fit

Extremely clean lubrication up to 75,000 hrs

Reduce frequency of oil changes

Eliminate wear to host equipment

Prevent lubricant leakage

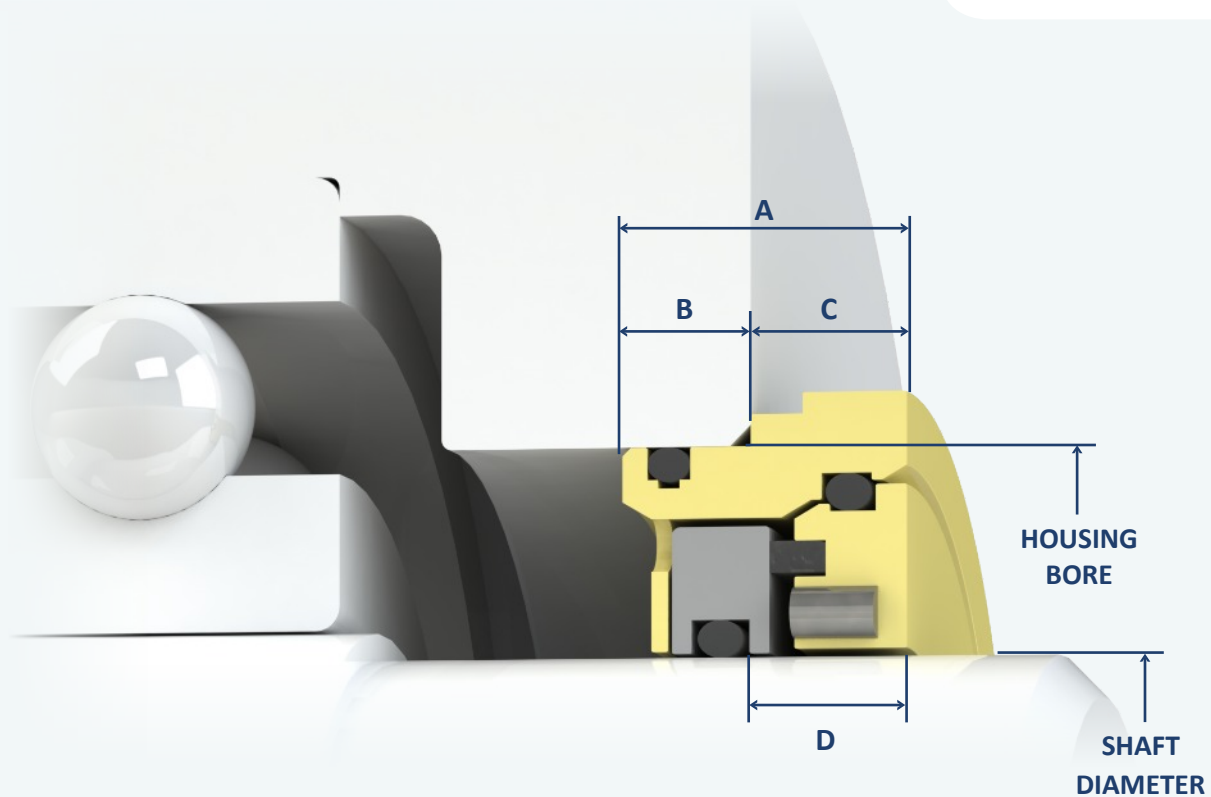
Prevent contaminant ingress

MAGNUM-P V6S

Magnetic Bearing Isolator

ISOMAG[®]
DURABLE BY DESIGN

EXTERNAL DIMENSIONS



| IMPERIAL UNITS | | | | | |
|--------------------------------------|-------------------------|---------------|--------------|-----------------|---------------|
| SHAFT DIAMETER (1/16" increments) | HOUSING BORE Minimum | LENGTH "A" | ENTRY "B" | EXTERNAL "C" | O-RING "D" |
| .750" to 2.000" | Shaft + .750" | 0.685" | 0.310" | 0.375" | 0.370" |
| 2.062" to 3.000" | Shaft + .750" | 0.700" | 0.350" | 0.350" | 0.370" |
| 3.062" to 4.000" | Shaft + 1.000" | 0.900" | 0.450" | 0.450" | 0.450" |
| 4.000" to 7.000" | Shaft + 1.000" | 0.925" | 0.500" | 0.425" | 0.455" |
| 7.000" to 15.000" | Shaft + 1.250" | 1.120" | 0.560" | 0.560" | 0.610" |

| METRIC UNITS | | | | | |
|------------------------------------|-------------------------|---------------|--------------|-----------------|---------------|
| SHAFT DIAMETER (1mm increments) | HOUSING BORE Minimum | LENGTH "A" | ENTRY "B" | EXTERNAL "C" | O-RING "D" |
| 19mm to 50mm | Shaft + 20mm | 17.400 | 7.875 | 9.525 | 9.398 |
| 51mm to 75mm | Shaft + 20mm | 17.780 | 8.890 | 8.890 | 9.398 |
| 76mm to 100mm | Shaft + 25mm | 22.860 | 11.430 | 11.430 | 11.430 |
| 101mm to 175mm | Shaft + 25mm | 23.495 | 12.700 | 10.795 | 11.557 |
| 176mm to 380mm | Shaft + 32mm | 28.448 | 14.224 | 14.224 | 15.494 |

***Contact factory for seals greater than 15.000" or 380mm*